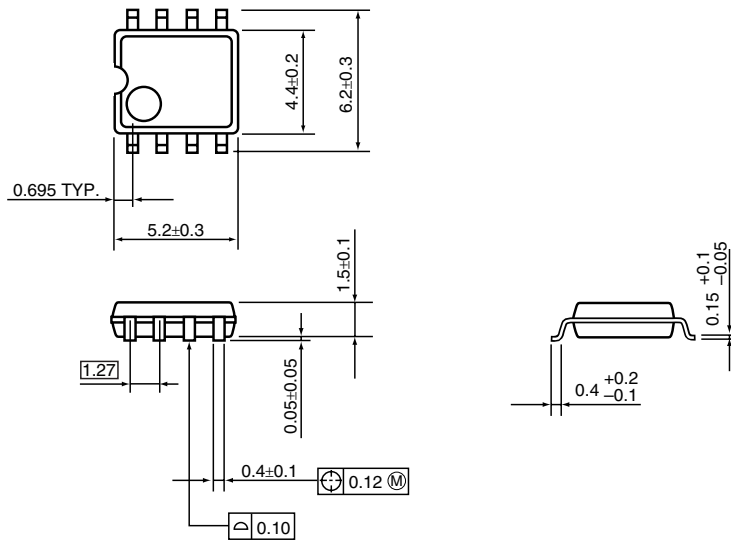


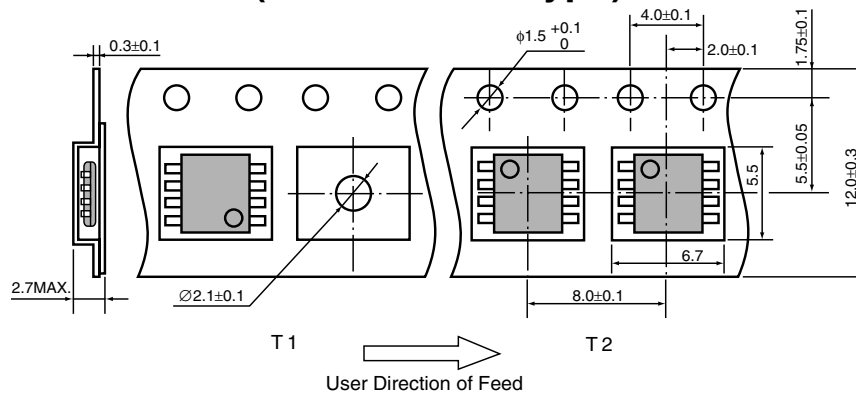
14. 8pin SOP (1.27mm pitch)

Unit: mm

PACKAGE DIMENSIONS



TAPING SPECIFICATION (T2: Standard Type)



TAPING REEL DIMENSIONS

(1reel=1000pcs)

