
USB HIGH-SIDE POWER SWITCH

NO.EA-091-111108

OUTLINE

The R5520H is CMOS-based high-side MOSFET switch IC for Universal Serial Bus (USB) applications. Low ON Resistance (Typ.100mΩ) and low supply current (Typ.20μA at active mode) are realized in this IC.

An over-current limit circuit, thermal shutdown circuit, and an under voltage lockout circuit are built-in as protection circuits. Further, a delay circuit for flag signal after detecting over-current, is embedded to prevent miss-operation of error flag because of inrush current. The R5520H is ideal for applications of protection for USB power supply.

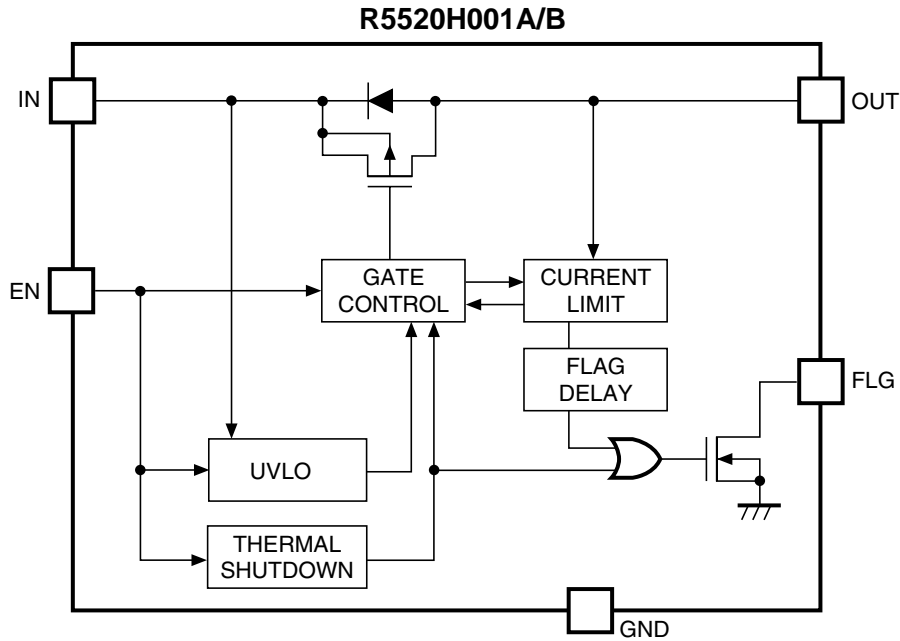
FEATURES

- Built-in P-channel MOSFET Switch
- Supply CurrentTyp. 20μA (at Active Mode)
- Switch ON ResistanceTyp. 100mΩ
- Output Current.....Min. 500mA
- Flag Delay TimeTyp. 10ms.
- Over- Current Limit / Short Circuit Protection
- Built-in Under Voltage Lockout (UVLO) Function
- Built-in Thermal Shutdown Protection
- Built-in Soft-start Function
- PackageSOT-89-5

APPLICATIONS

- USB Peripherals
- Notebook PCs

BLOCK DIAGRAMS

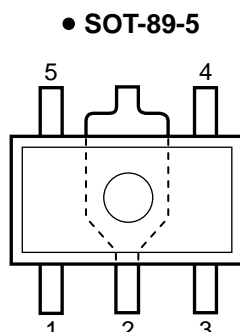


SELECTION GUIDE

The logic of the enable pin for the ICs can be selected at the user's request.

Product Name	Package	Quantity per Reel	Pb Free	Halogen Free
R5520H001*-T1-FE	SOT-89-5	1,000 pcs	Yes	Yes
* : Designation of the logic of the enable pin. (A) "L" active (B) "H" active				

PIN CONFIGURATIONS



PIN DESCRIPTIONS

• SOT-89-5

Pin No	Symbol	Pin Description
1	EN	Enable Pin
2	GND	Ground Pin
3	FLG	FLG pin (Open Drain Output)
4	IN	Power Supply Pin
5	OUT	Output Pin

ABSOLUTE MAXIMUM RATINGS

Symbol	Item	Rating	Unit
V_{IN}	Input Voltage	6.0	V
V_{EN}	Enable Pin Input Voltage	-0.3 to $V_{IN}+0.3$	V
V_{FLG}	Flag Voltage	-0.3 to 6.0	V
I_{FLG}	Flag Current	14	mA
V_{OUT}	Output Voltage	-0.3 to $V_{IN}+0.3$	V
I_{OUT}	Output Current	Internal Limited	
P_D	Power Dissipation* (SOT-89-5)	900	mW
T_{opt}	Operating Temperature Range	-40 to 85	°C
T_{stg}	Storage Temperature Range	-55 to 125	°C

*) For Power Dissipation, please refer to PACKAGE INFORMATION.

ABSOLUTE MAXIMUM RATINGS

Electronic and mechanical stress momentarily exceeded absolute maximum ratings may cause the permanent damages and may degrade the life time and safety for both device and system using the device in the field.

The functional operation at or over these absolute maximum ratings is not assured.

ELECTRICAL CHARACTERISTICS

• R5520H001A/B

$T_{opt}=25^{\circ}\text{C}$

Symbol	Item	Conditions	Min.	Typ.	Max.	Unit
V_{IN}	Input Voltage		4.0		5.5	V
I_{DD1}	Supply Current 1	*Note1 OUT=open, (Active)		20	60	μA
I_{DD2}	Supply Current 2	*Note2 OUT=open, (OFF)		0.5	5.0	μA
R_{ON}	Switch On Resistance	$V_{IN}=5\text{V}$, $I_{OUT}=500\text{mA}$		100	140	$\text{m}\Omega$
		$V_{IN}=4\text{V}$, $I_{OUT}=500\text{mA}$		110	150	$\text{m}\Omega$
t_{ON}	Output Turn-on Delay	$R_L=10\Omega$		2	12	ms
t_{OFF}	Output Turn-off Delay	$R_L=10\Omega$		5	20	μs
V_{UVLO}	UVLO Threshold	$V_{IN}=\text{increasing}$	2.1	2.4	2.7	V
		$V_{IN}=\text{decreasing}$		2.2		V
I_{TH}	Current Limit Threshold	Ramped Load		1.2	2.0	A
I_{LIM}	Short Current Limit	$V_{OUT}=0\text{V}$	0.50	0.75	1.00	A
t_{FD}	Over Current Flag Delay	From Over Current to FLG="L"	5	10	20	ms
T_{TS}	Thermal Shutdown Temperature Threshold	$T_j=\text{increasing}$		135		$^{\circ}\text{C}$
		$T_j=\text{decreasing}$		125		
I_{EN}	Enable Pin Input Current			0.01	1.00	μA
V_{EN1}	Enable Pin Input Voltage 1	$V_{EN}=\text{increasing}$		2.1	2.4	V
V_{EN2}	Enable Pin Input Voltage 2	$V_{EN}=\text{decreasing}$	0.8	1.9		V
I_{LO}	Output Leakage Current			1	10	μA
V_{LF}	Flag "L" Output Voltage	$I_{SINK}=1\text{mA}$			0.4	V
I_{FOF}	Flag Off Current	$V_{FLAG}=5.5\text{V}$		0.05	2.00	μA

(Note1) EN=L (R5520H001A), EN=H (R5520H001B)

(Note2) EN=H (R5520H001A), EN=L (R5520H001B)

RECOMMENDED OPERATING CONDITIONS (ELECTRICAL CHARACTERISTICS)

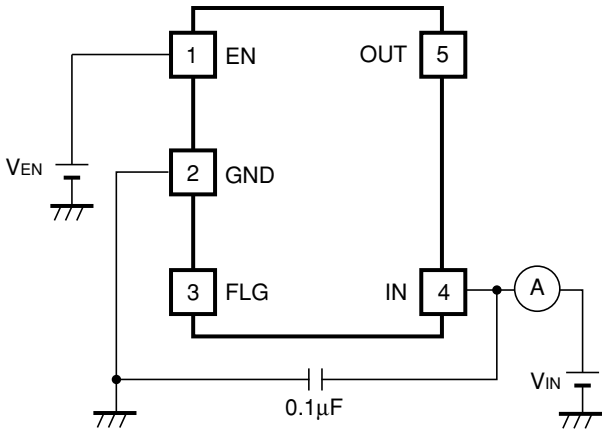
All of electronic equipment should be designed that the mounted semiconductor devices operate within the recommended operating conditions. The semiconductor devices cannot operate normally over the recommended operating conditions, even if when they are used over such conditions by momentary electronic noise or surge. And the semiconductor devices may receive serious damage when they continue to operate over the recommended operating conditions.

OPERATION

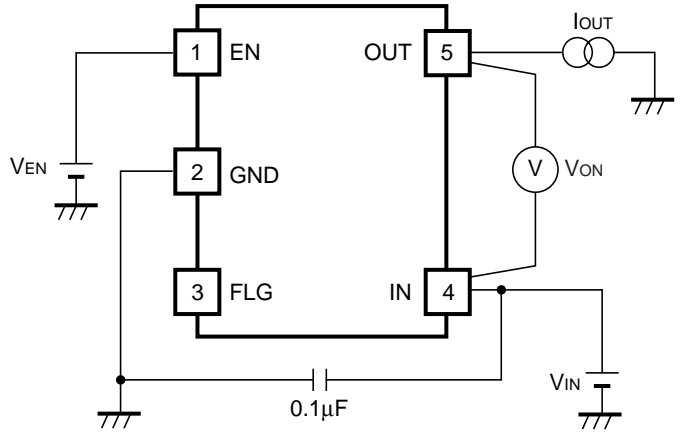
This explanation is based on the typical application.

- (1) There is a parasitic diode between source and drain of the switch transistor. (Refer to the block diagram.) Because of this, in both cases of enable and disable, if the voltage of OUT pin is higher than IN pin, current flows from OUT to IN.
- (2) In case that OUT pin and GND is short, if over-current would continue, the temperature of the IC would increase drastically. If the temperature of the IC is beyond 135°C, the switch transistor turns off and the FLG pin level becomes "L". Then, when the temperature of the IC decreases equal or lower than 125°C, the switch transistor turns on and FLG becomes "H". Unless the abnormal situation of OUT pin is removed, the switch transistor repeats on and off.
Refer to the 21) over-current protection operation in the typical characteristics.
- (3) Over-current level is set internally in the IC. There are three types of response against over-current:
 - ① Under the condition that OUT pin is short or large capacity is loaded, if the IC is enabled, the IC becomes constant current state. After the flag delay time passes, FLG becomes "L", that means over current state. Refer to the 20) current limit transient response of typical characteristics.
 - ② While the switch transistor is on, if OUT pin is short or large capacity is loaded, until the current limit circuit responds, large transient current flows. After the transient current is beyond the over-current detector threshold and delay time of the flag passes, FLG becomes "L", that means over current state. Refer to the 22), 23) over-current limit transient response of typical characteristics.
 - ③ In the case that load current gradually increases, the IC is not into the constant current state until the current is beyond over current limit. Once the level is beyond the over current detector threshold, load current is limited into over current limit level. Note that load current continuously flows until the load current is beyond the over-current detector threshold.
- (4) FLG pin is Nch Open drain output. If the over-current or over-temperature is detected, FLG becomes "L". If over-current is detected, FLG becomes "L" after the flag delay time t_{FD} passes. Therefore flag signal is not out with inrush current.
- (5) UVLO circuit prevents that the switch transistor turns on until the input voltage is beyond 2.4V. UVLO circuit can operate when the IC is enabled.

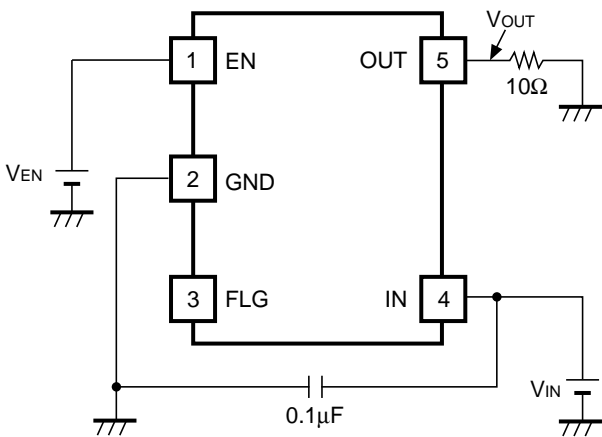
TEST CIRCUIT



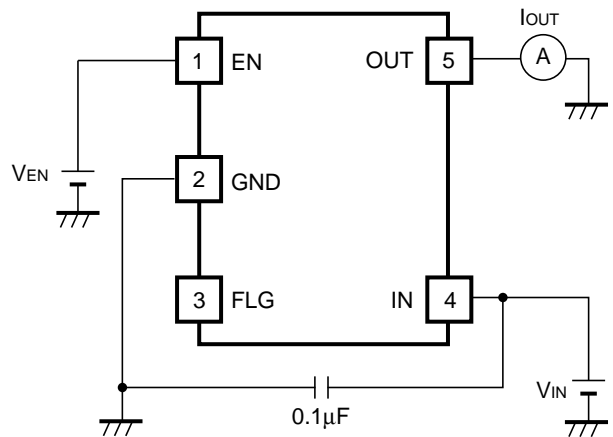
Supply Current Test Circuit



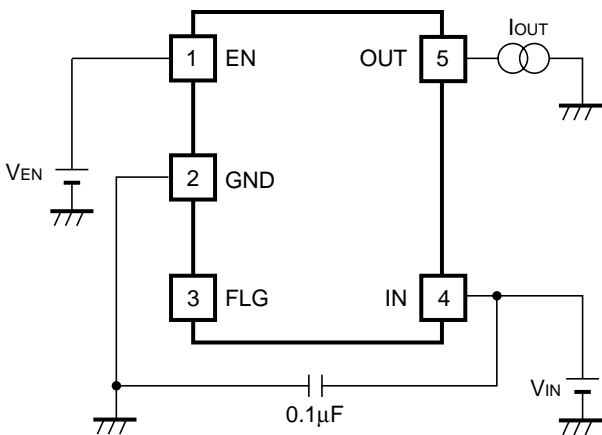
Switch On Resistance Test Circuit



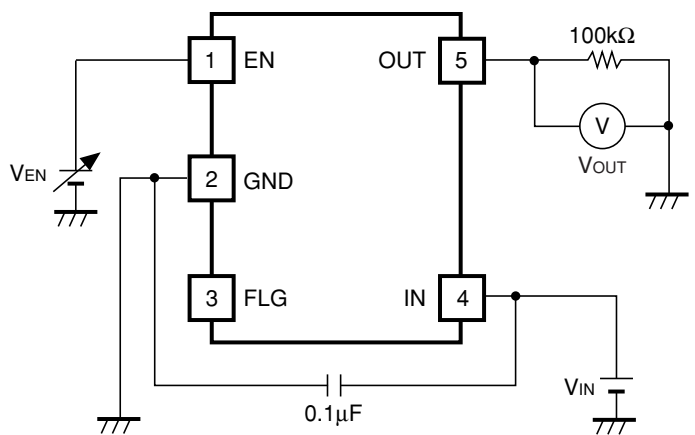
Output On Time Test Circuit



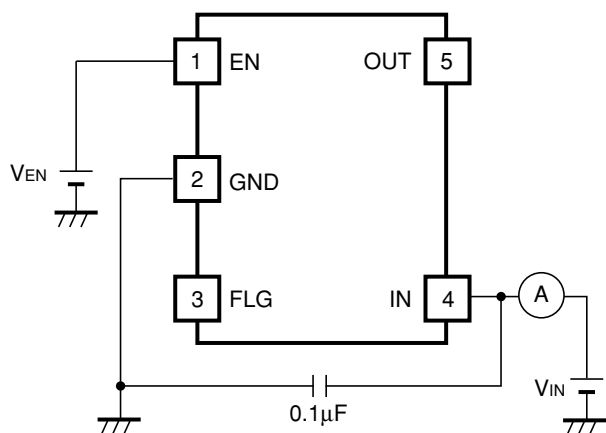
Over-current Limit Test Circuit



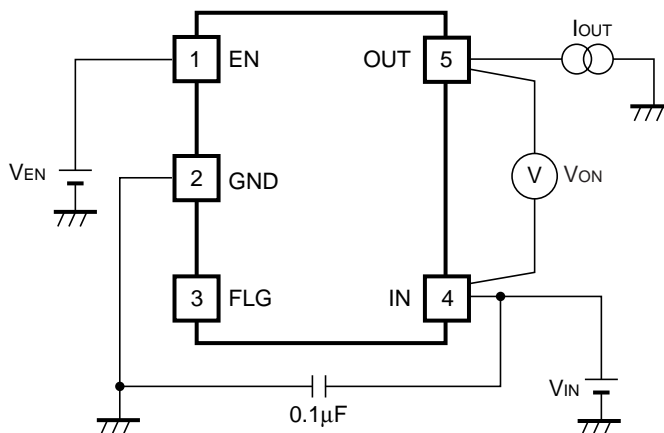
Over-current Threshold Test Circuit



Enable Input Voltage Test Circuit

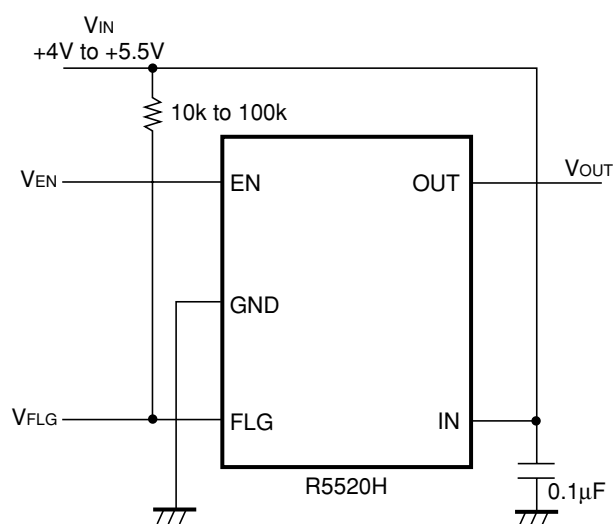


Flag Output Delay Time Test Circuit



UVLO Threshold Test Circuit

TYPICAL APPLICATION



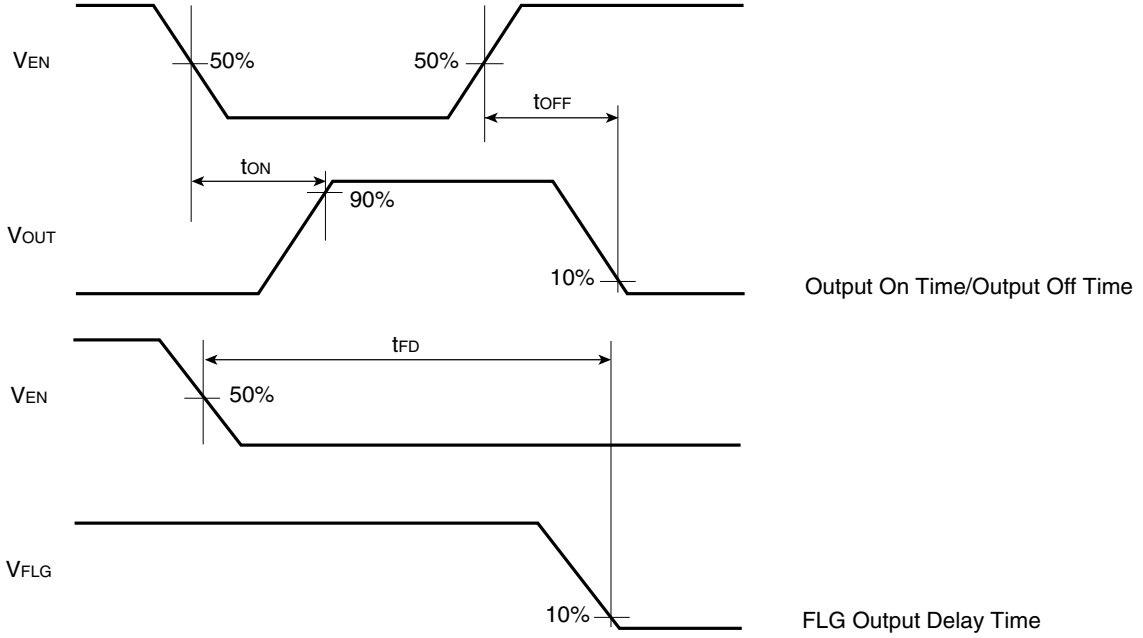
R5520H001A/B

TECHNICAL NOTES

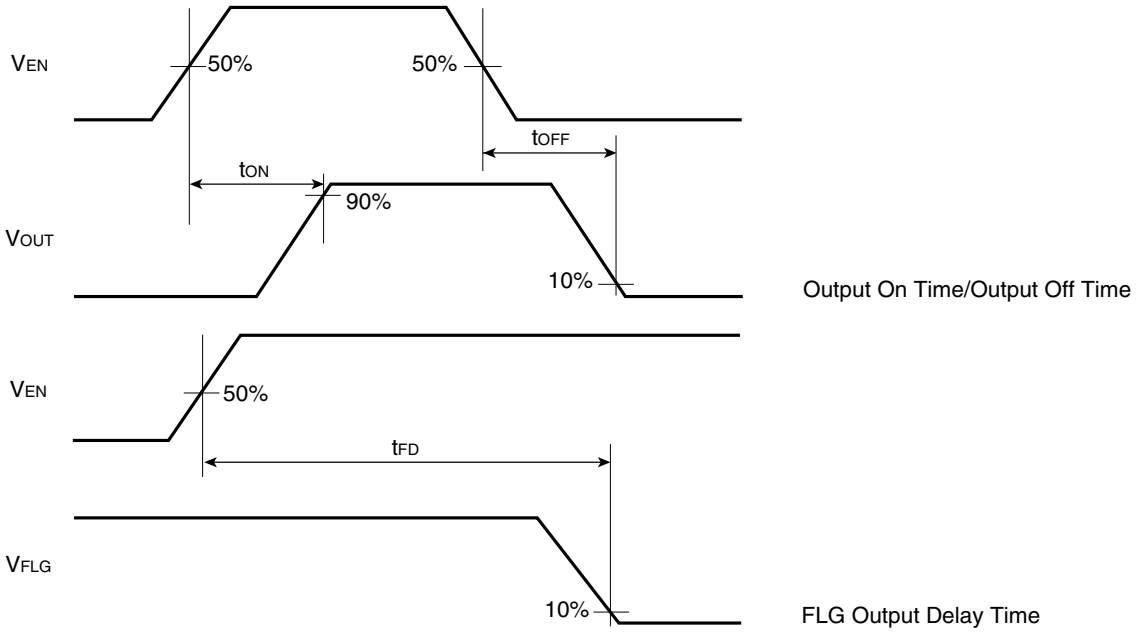
- Put a capacitance range from $0.1\mu\text{F}$ to $1\mu\text{F}$ bypass capacitor between IN pin and GND pin of the IC. Without a bypass capacitor, in case of output short, because of the high side inductance of IN pin, ringing may be generated and it might be a cause of an unstable operation.
- Recommended pull-up resistance value range of flag pin is from $10\text{k}\Omega$ to $100\text{k}\Omega$.

TIMING CHART

• R5520H001A

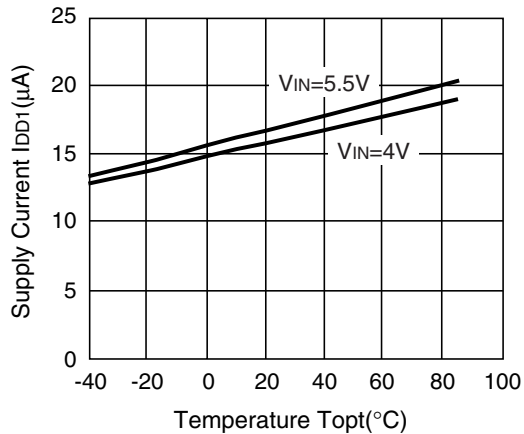


• R5520H001B

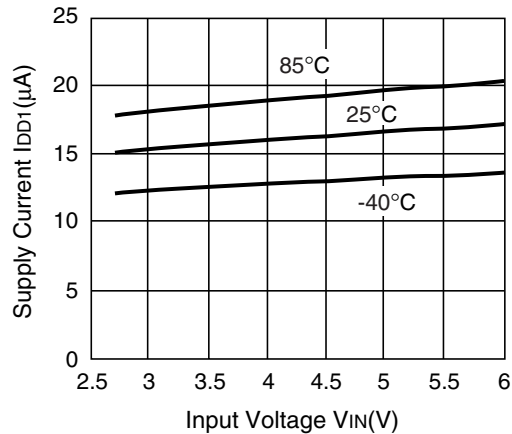


TYPICAL CHARACTERISTICS

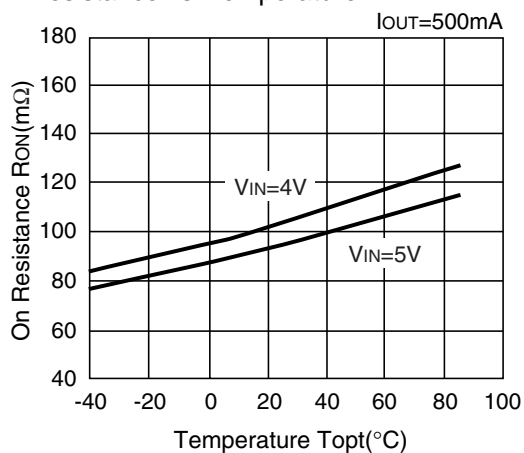
1) Supply Current vs. Temperature



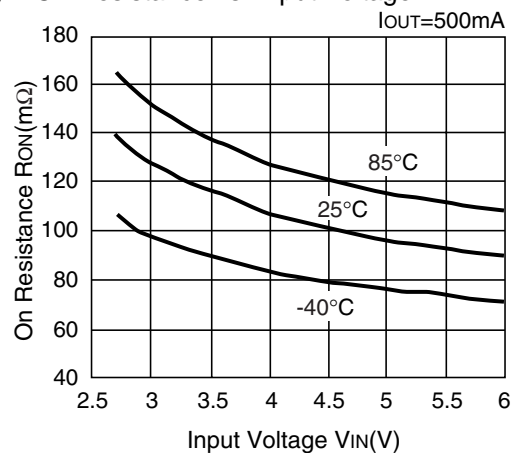
2) Supply Current vs. Input Voltage



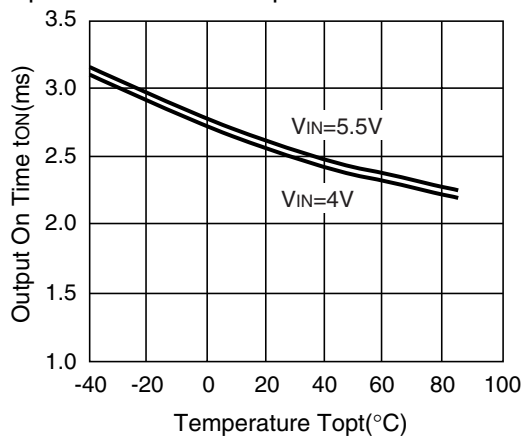
3) On Resistance vs. Temperature



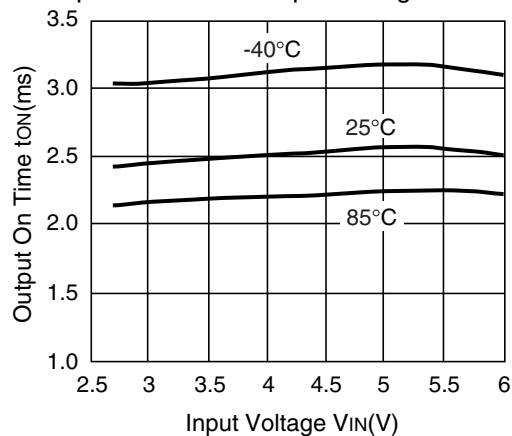
4) On Resistance vs. Input Voltage



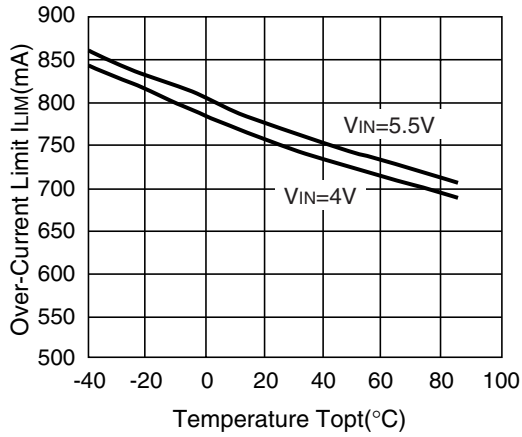
5) Output On Time vs. Temperature



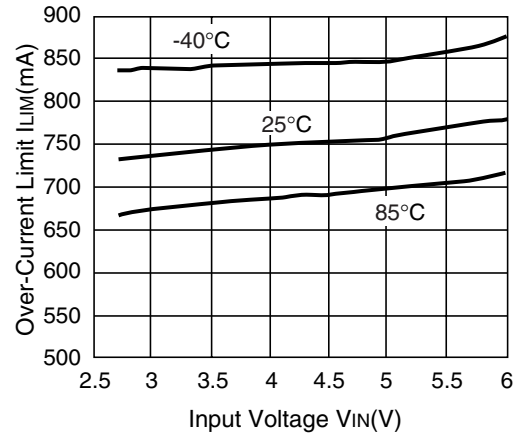
6) Output On Time vs. Input Voltage



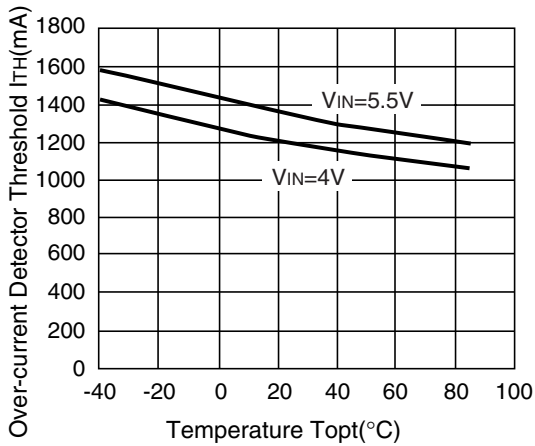
7) Over-current limit vs. Temperature



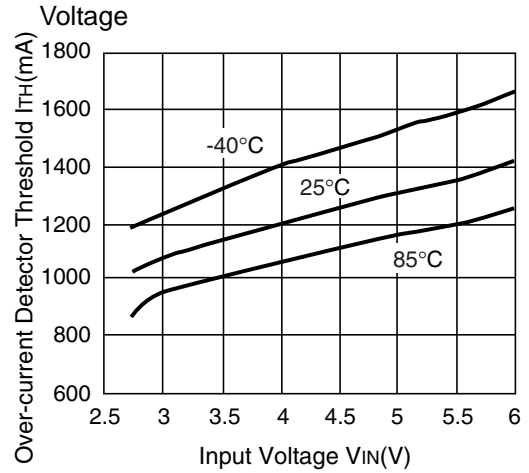
8) Over-current limit vs. Input Voltage



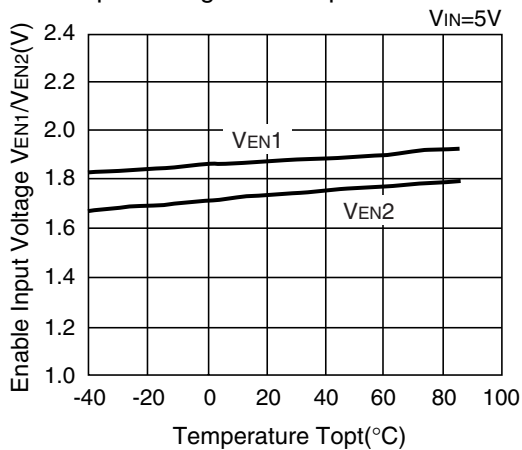
9) Over-current Detector Threshold vs. Temperature



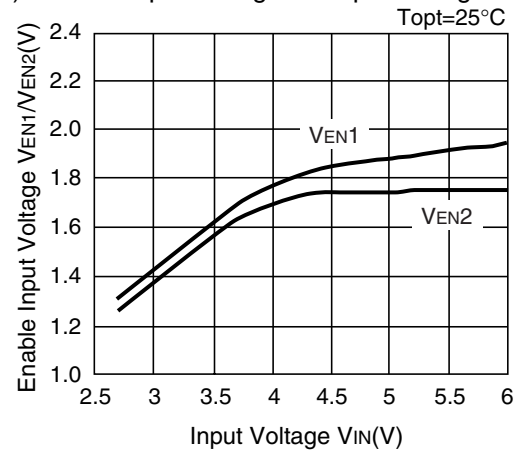
10) Over-current Detector Threshold vs. Input Voltage



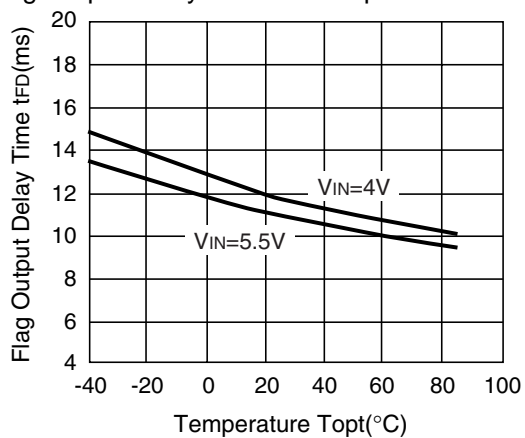
11) Enable Input Voltage vs. Temperature



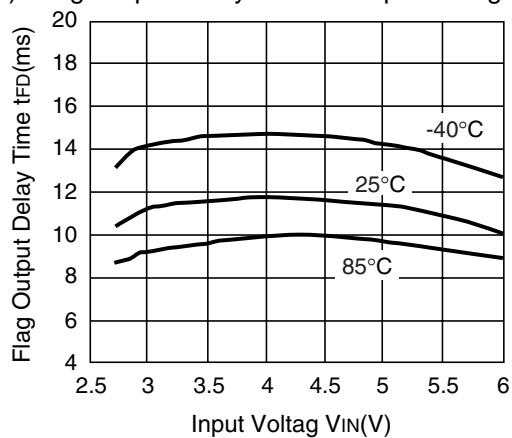
12) Enable Input Voltage vs. Input Voltage



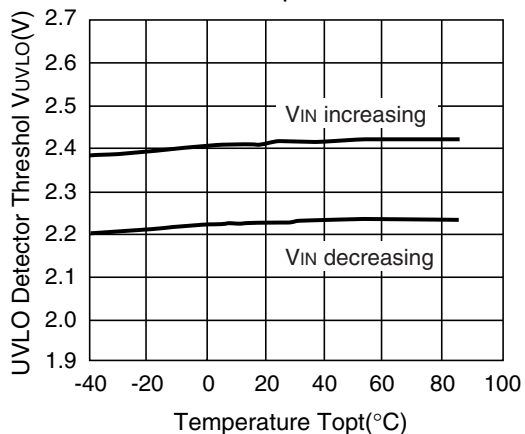
13) Flag Output Delay Time vs. Temperature



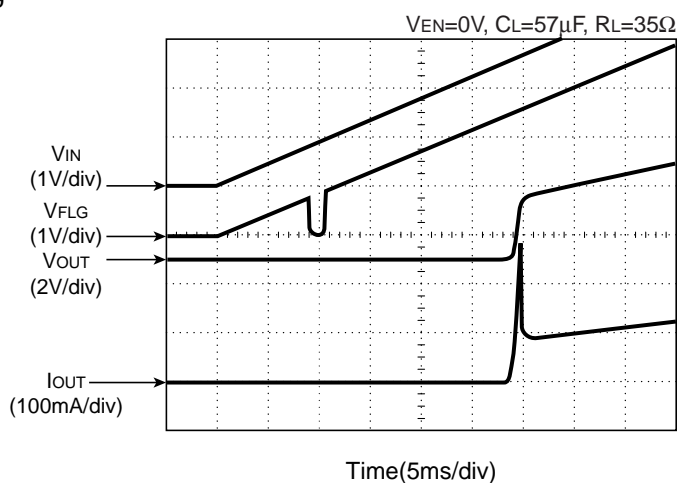
14) Flag Output Delay Time vs. Input Voltage



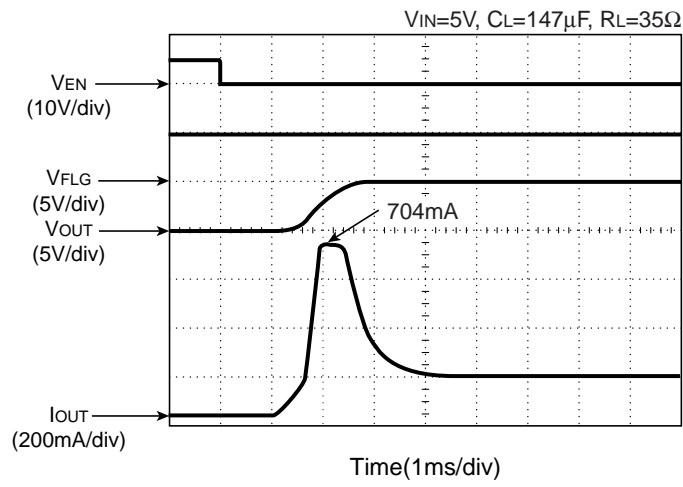
15) UVLO Threshold vs. Temperature



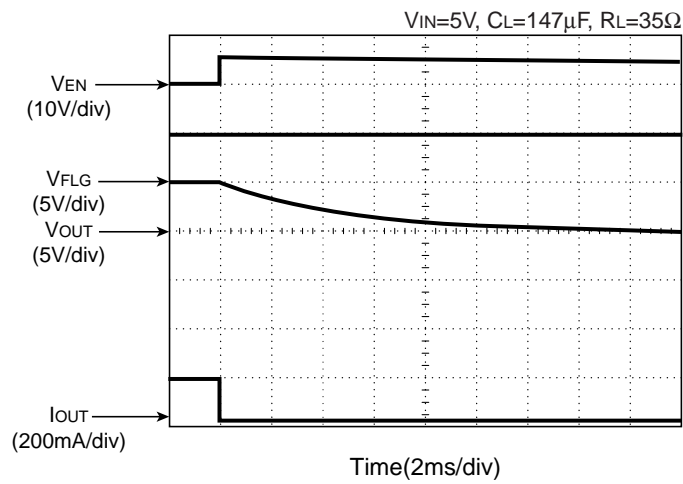
16) UVLO at V_{IN} increasing



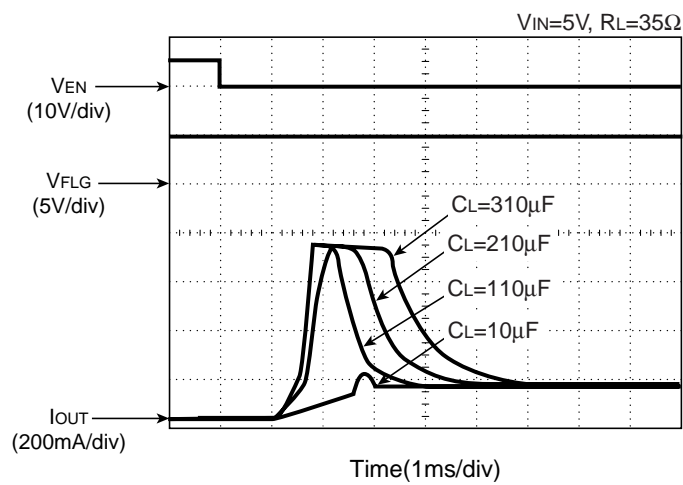
17) Turn-on response



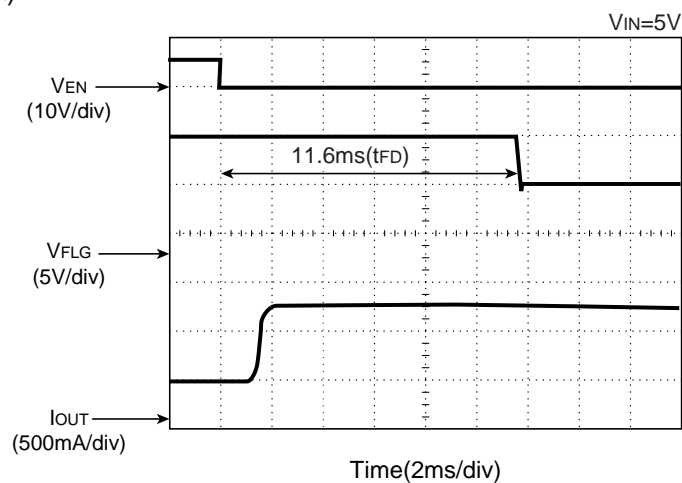
18) Turn off Response



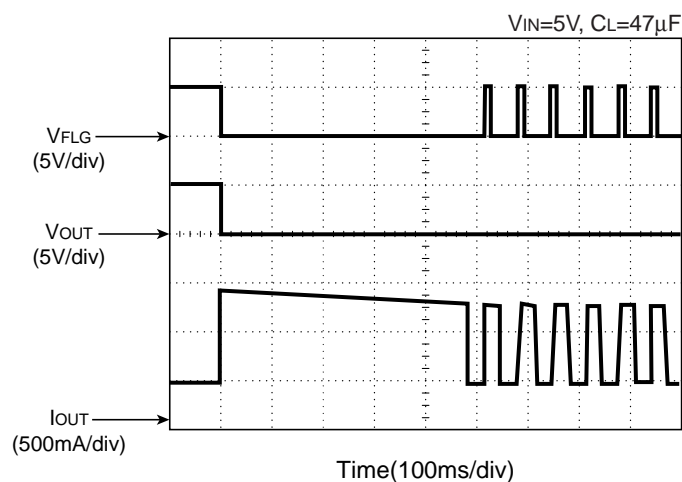
19) Inrush current



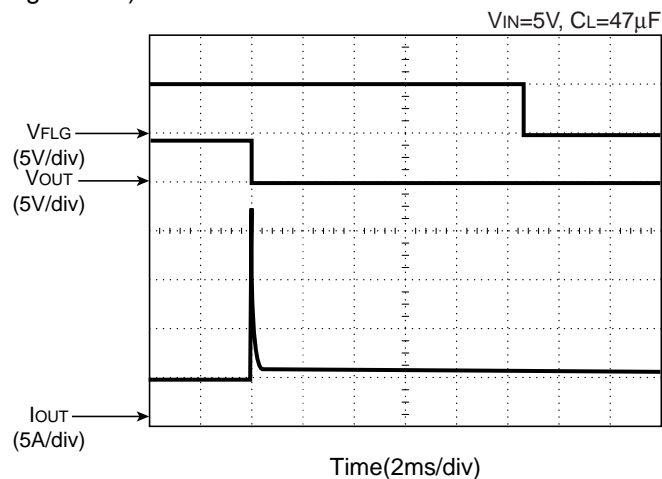
20) Current Limit Transient Response
(Case: Enable to Short)



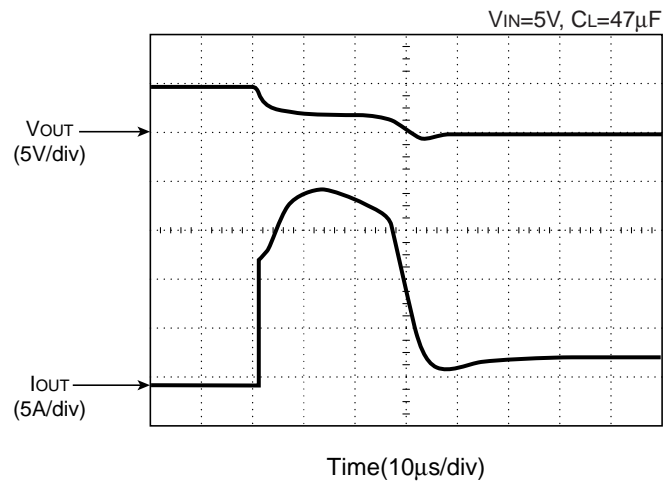
21) Thermal Shutdown



22) Current Limit Transient Response
(Case: Output short during enable)



23) Zoomed in 22)





1. The products and the product specifications described in this document are subject to change or discontinuation of production without notice for reasons such as improvement. Therefore, before deciding to use the products, please refer to Ricoh sales representatives for the latest information thereon.
2. The materials in this document may not be copied or otherwise reproduced in whole or in part without prior written consent of Ricoh.
3. Please be sure to take any necessary formalities under relevant laws or regulations before exporting or otherwise taking out of your country the products or the technical information described herein.
4. The technical information described in this document shows typical characteristics of and example application circuits for the products. The release of such information is not to be construed as a warranty of or a grant of license under Ricoh's or any third party's intellectual property rights or any other rights.
5. The products listed in this document are intended and designed for use as general electronic components in standard applications (office equipment, telecommunication equipment, measuring instruments, consumer electronic products, amusement equipment etc.). Those customers intending to use a product in an application requiring extreme quality and reliability, for example, in a highly specific application where the failure or misoperation of the product could result in human injury or death (aircraft, spacevehicle, nuclear reactor control system, traffic control system, automotive and transportation equipment, combustion equipment, safety devices, life support system etc.) should first contact us.
6. We are making our continuous effort to improve the quality and reliability of our products, but semiconductor products are likely to fail with certain probability. In order to prevent any injury to persons or damages to property resulting from such failure, customers should be careful enough to incorporate safety measures in their design, such as redundancy feature, firecontainment feature and fail-safe feature. We do not assume any liability or responsibility for any loss or damage arising from misuse or inappropriate use of the products.
7. Anti-radiation design is not implemented in the products described in this document.
8. Please contact Ricoh sales representatives should you have any questions or comments concerning the products or the technical information.

RICOH COMPANY., LTD. Electronic Devices Company



■ Ricoh presented with the Japan Management Quality Award for 1999.
Ricoh continually strives to promote customer satisfaction, and shares the achievements of its management quality improvement program with people and society.



■ Ricoh awarded ISO 14001 certification.
The Ricoh Group was awarded ISO 14001 certification, which is an international standard for environmental management systems, at both its domestic and overseas production facilities. Our current aim is to obtain ISO 14001 certification for all of our business offices.

<http://www.ricoh.com/LSI/>

RICOH COMPANY, LTD. Electronic Devices Company

● Higashi-Shinagawa Office (International Sales)
3-32-3, Higashi-Shinagawa, Shinagawa-ku, Tokyo 140-8655, Japan
Phone: +81-3-5479-2857 Fax: +81-3-5479-0502

RICOH EUROPE (NETHERLANDS) B.V.

● Semiconductor Support Centre
Prof. W.H.Keesomlaan 1, 1183 DL Amstelveen, The Netherlands
P.O.Box 114, 1180 AC Amstelveen
Phone: +31-20-5474-309 Fax: +31-20-5474-791

RICOH ELECTRONIC DEVICES KOREA Co., Ltd.

11 floor, Haesung 1 building, 942, Daechidong, Gangnamgu, Seoul, Korea
Phone: +82-2-2135-5700 Fax: +82-2-2135-5705

RICOH ELECTRONIC DEVICES SHANGHAI Co., Ltd.

Room403, No.2 Building, 690#Bi Bo Road, Pu Dong New district, Shanghai 201203,
People's Republic of China
Phone: +86-21-5027-3200 Fax: +86-21-5027-3299

RICOH COMPANY, LTD. Electronic Devices Company

● Taipei office
Room109, 10F-1, No.51, Hengyang Rd., Taipei City, Taiwan (R.O.C.)
Phone: +886-2-2313-1621/1622 Fax: +886-2-2313-1623



Ricoh completed the organization of the Lead-free production for all of our products. After Apr. 1, 2006, we will ship out the lead free products only. Thus, all products that will be shipped from now on comply with RoHS Directive.