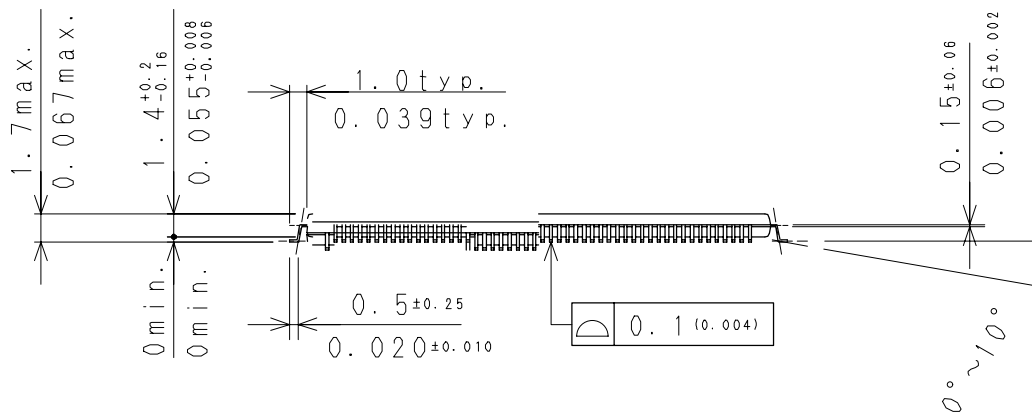
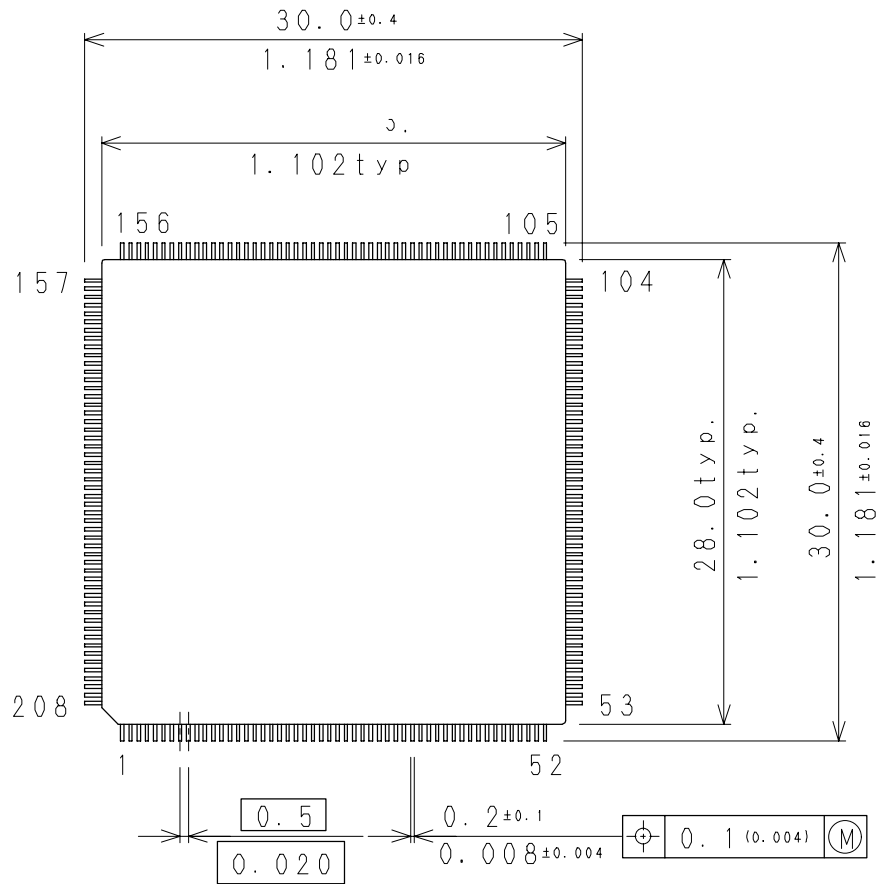


**LQFP-208-P1 (size=28x28, pitch=0.5, t=1.7max unit:mm)**



UNIT:  $\frac{\text{MM}}{\text{INCH}}$